



www.vcultimate.com

QUICK-DRY



Pink
Pantone 210 C



Fuschia
Pantone 233 C



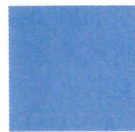
Burgundy
Pantone 188 C



Dark Purple
Pantone 274 C



Purple
Pantone 2725 C



Mauve
Pantone 7456 C



Violet
Pantone 264 C



Powder
Pantone 278 C



Robin Egg
Pantone 305 C



Ocean Blue
Pantone 2925 C



Tour Blue
Pantone 660 C



Royal Blue
Pantone 072 C



Navy
Pantone 2767 C



Steel
Pantone 5405 C



Charcoal
Pantone 426 C



Yellow
Pantone 102 C



Amber
Pantone 123 C



Maize
Pantone 134 C



Gold
Pantone 137 C



Texas Orange
Pantone 1525 C



Tangerine
Pantone 1505 C



Burnt Orange
Pantone 174 C



Red
Pantone 1805 C



Chocolate
Pantone 4625 C



Forest
Pantone 350 C



Kelly
Pantone 361 C



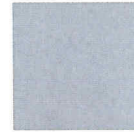
Lime
Pantone 374 C



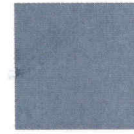
Safety Green
Pantone 373 C



Olive
Pantone 417 C



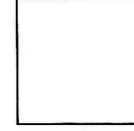
Silver
Pantone 429 C



Grey
Pantone 431 C



Black



White



Stone
Pantone 467 C

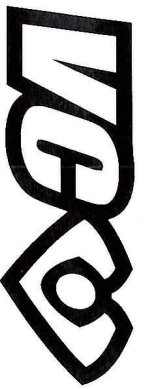


Khaki
Pantone 7536 C



CAMO

from, esie owl reserved p



Questions? Contact VC:
 Local: 416-588-4154
 Toll-free: 1-866-844-2511
 email: info@vcultimate.com
 web: www.vcultimate.com

Size information pertains to all VC's short sleeve and sleeveless jersey patterns.

Mens Jersey Sizing (all measurements in inches)

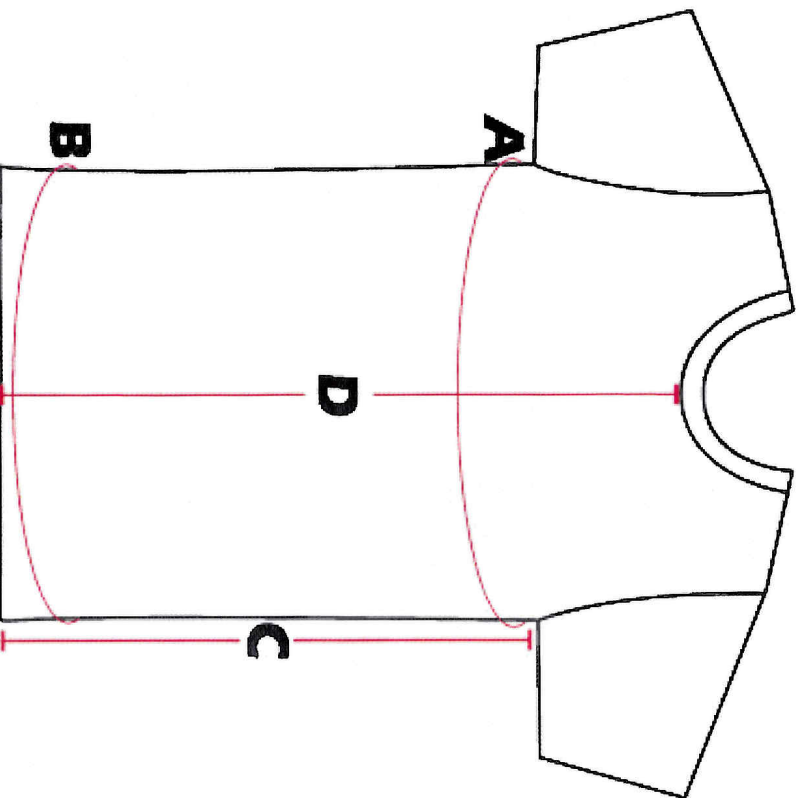
Location / Size	XS	S	M	L	XL
CHEST (A)	40	42	44	46	48
HEM (B)	40	42	44	46	48
SIDE SEAM LENGTH (C)	16 1/2	17 1/2	18 1/2	19 1/2	20 1/2
CENTER LENGTH (D)	23	24	25	26	27

* Note: As a rule, VC **men's** jerseys fit large. If you are debating between two sizes, most often the smaller option will fit best.

Women's Jersey Sizing (all measurements in inches)

Location / Size	XS	S	M	L	XL
CHEST (A)	32 1/2	34 1/2	36 1/2	38 1/2	40 1/2
HEM (B)	33 1/2	35 1/2	37 1/2	39 1/2	41 1/2
SIDE SEAM LENGTH (C)	15 3/4	16 1/4	16 3/4	17 1/4	17 3/4
CENTER LENGTH (D)	21 3/4	22 1/4	22 3/4	23 1/4	23 3/4

* Note: As a rule, VC **women's** jerseys fit a bit small. If you are debating between two sizes, most often the larger option will fit best.



***** **Please consider** *****

The measurements shown here pertain to unprinted jerseys. All performance jerseys/materials experience some shrinkage during the screen printing process due to the high heat they are exposed to. An acceptable rate of shrinkage is 3-7%, which is what we generally see when we print our garments. Our patterns accommodate for this shrinkage by being half to a full size larger in fit than most other brands of jerseys.

Please take this into consideration, as well as the notes above, when you are figuring out your jersey size.